

# Clarendon Garden Gazebo

Approx. Dim.

309L x 309W x 225H cm / 121.7"L x 121.7"W x 88.6"H



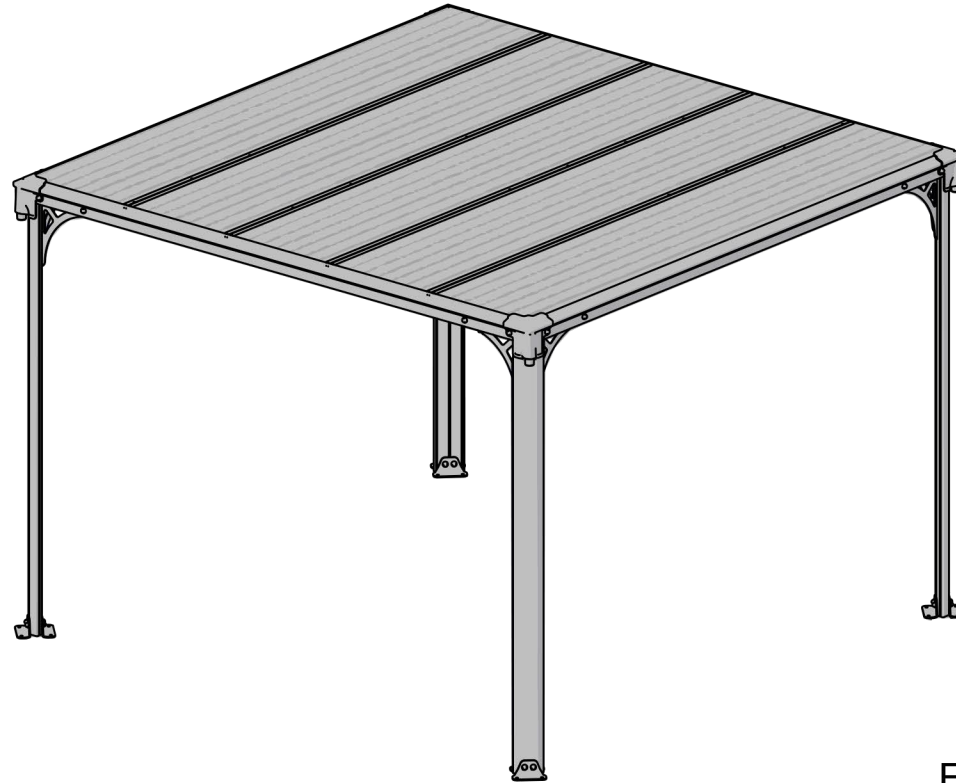
## Wind Resistant

90 km/hr  
54 ml/hr



## Snow Load

75 kg/m<sup>2</sup>  
15.4 lbs/ft<sup>2</sup>

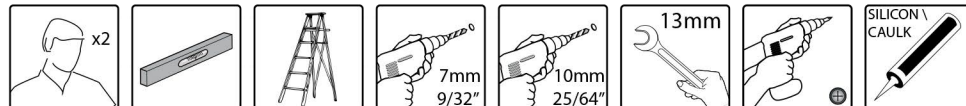


the  
**canopyshop**

T: 0345 241 7182

E: sales@thecanopyshop.co.uk

W: www.thecanopyshop.co.uk



**IMPORTANT**

Please read these instructions carefully before you start to assemble this product.  
Please carry out the steps in the order set out in these instructions.  
Keep these instructions in a safe place for future reference.

## » Care and Safety advice

- Please follow the instructions as listed in this manual.
- Sort the parts and check against the contents list.
- For safety purposes we strongly recommend the product to be assembled by at least two people.
- Some parts have metal edges. Please be careful when handling components. Always wear gloves, shoes and safety goggles during assembly.
- Do not attempt to assemble the Gazebo in windy or wet conditions.
- Dispose of all plastic bags safely – keep them away from children’s reach.
- Keep children away from the assembly area.
- Do not attempt to assemble the Gazebo if you are tired, have taken drugs, medications or alcohol, or if you are prone to dizzy spells.
- When using a stepladder or power tools, make sure that you are following the manufacturer’s safety advice.
- Do not climb or stand on the roof.
- Heavy articles should not be leaned against the poles.
- Keep roof and gutters clear of snow, dirt & leaves.
- Heavy snow load on roof can damage the Gazebo making it unsafe to stand below or nearby.
- This product was designed to be used mainly as a Gazebo.

If color was scratched during assembly it can be fixed with the following tints:  
Grey – RAL 7012

## » Cleaning instructions

In order to clean the Gazebo, use a mild detergent solution and rinse with cold clean water.

Do not use acetone, abrasive cleaners, or other special detergents to clean the panels.

## » Tools &amp; Equipment



T001 (Supplied)

**Attention**

- Please make sure you install the panels with the UV protected side out (marked with “THIS SIDE OUT”) and peel the film strip covering the panels.
- Screws and plugs are not supplied.
- Please tighten all screws when completing assembly.
- Anchoring this product to the ground is essential to its stability and rigidity. It is required to complete this stage in order for your warranty to be valid.



When encountering the information icon, please refer to the relevant assembly step for additional comments and assistance.

## » During Assembly

During assembly use a soft surface below the parts to avoid scratches and damages.

**Step 3:** Please note the placement of the short poles.

Optional - if you wish to add Palram’s curtains/netting - Please thread 16 of the plastic clips through the rail in each of the four profiles in order to hang the curtains/netting (not supplied).

**Step 4:** Please add silicone on the inner area of part #8327 as illustrated.

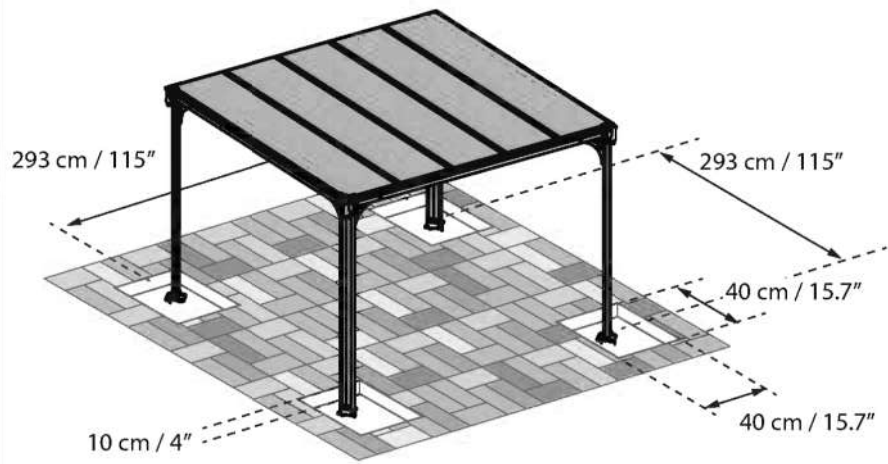
**Step 5:** Please make sure the beams are placed correctly in relation to the short poles.

**Step 7:** Please make sure you install the panels with the UV protected side out (marked with “THIS SIDE OUT”) and peel the film strip covering the panels.

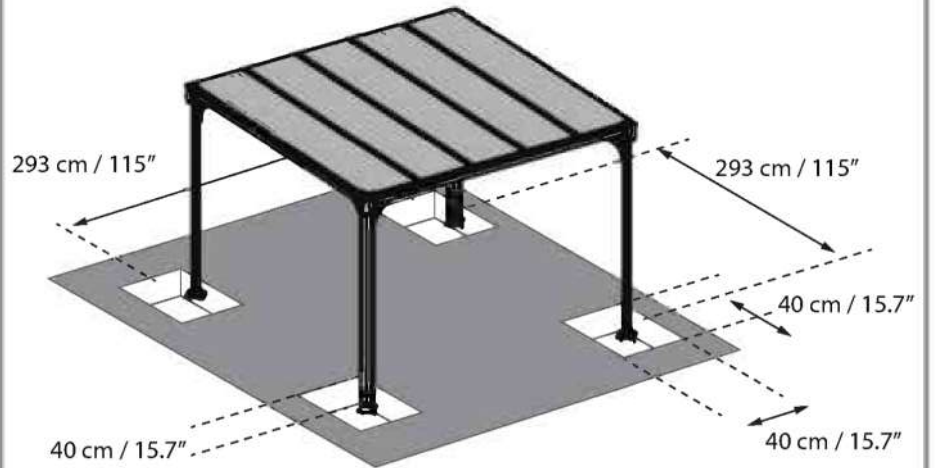
**Step 11:** Please drill holes in the panels to be located precisely parallel to the holes in profile #8671.

**Step 12:** Please level the profile’s legs and adapt screws and plugs to your specific ground type. Please note the placement of the gazebo, the short poles and consequently the slope’s direction.

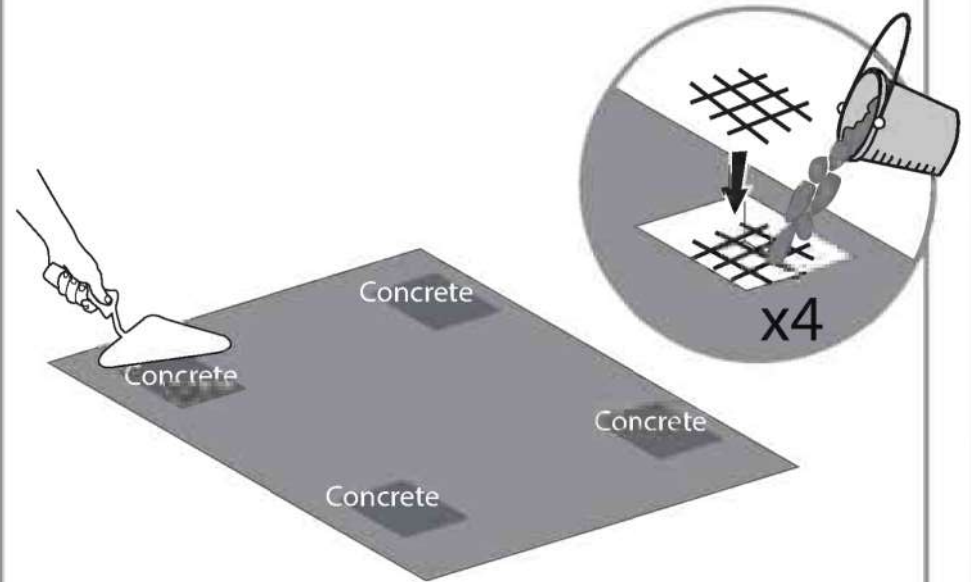
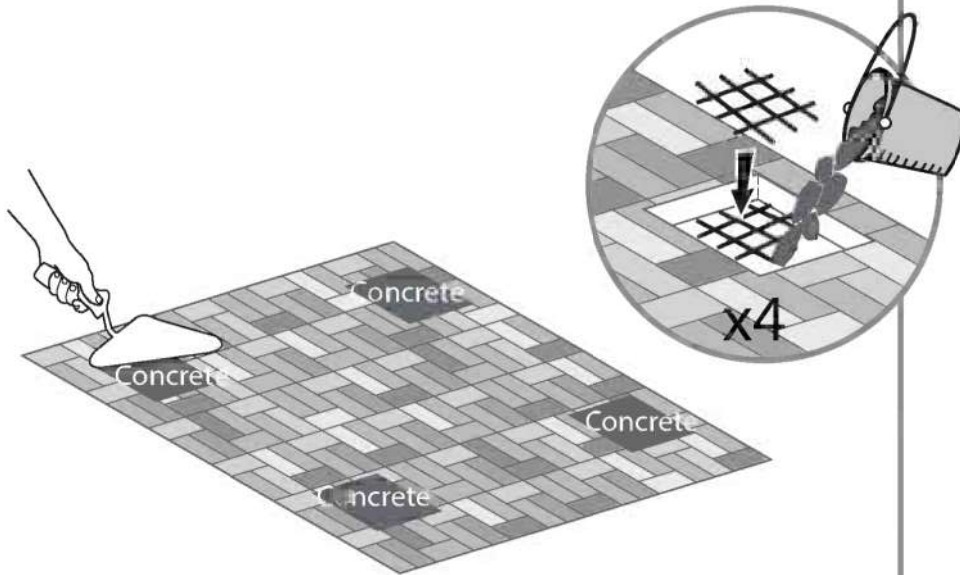
Pavement Stone



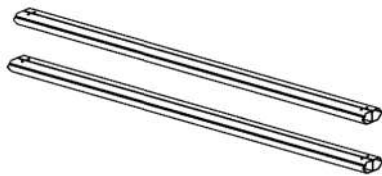




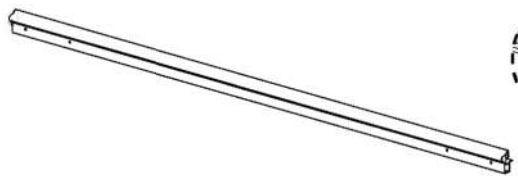
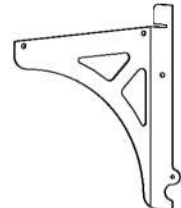


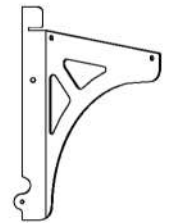


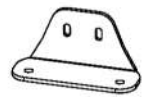




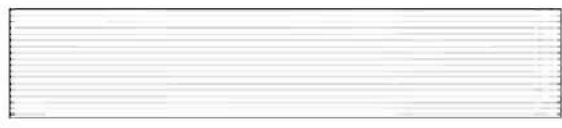



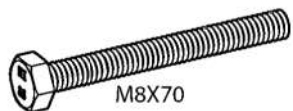

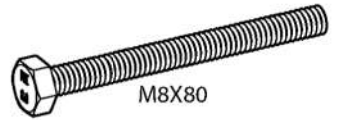
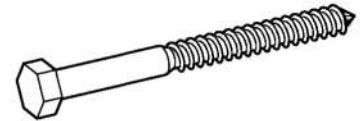
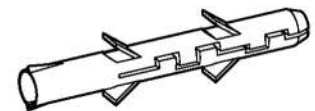


Asphalt / Soil



OR

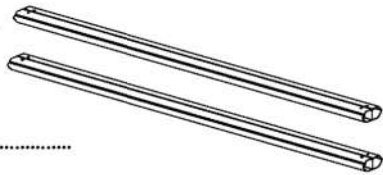


# Contents

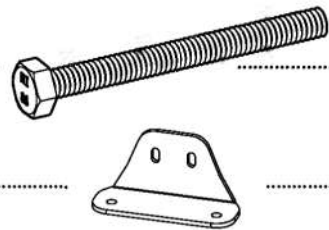
Item		Qty.	Item		Qty.	Item		Qty.
7664		2	8327		4	8192		8 (+1)
8640		2				411		16 (+2)
8639		4	8641		4	466		32 (+3)
8638		4	8642		4	8674		44 (+4)
8637		4	212		8	4024		8 (+1)
8671		2	T001		1	7221		8 (+1)
8154		5	7829		64 (+6)	7119		16 (+2)
			5000		72 (+6)	7679		8 (+1)
			5001		32 (+4)	7567		8 (+1)
						4000		16 (+1)
						4010		16 (+1)
						433		80 (+8)
						7121		32 (+3)

1

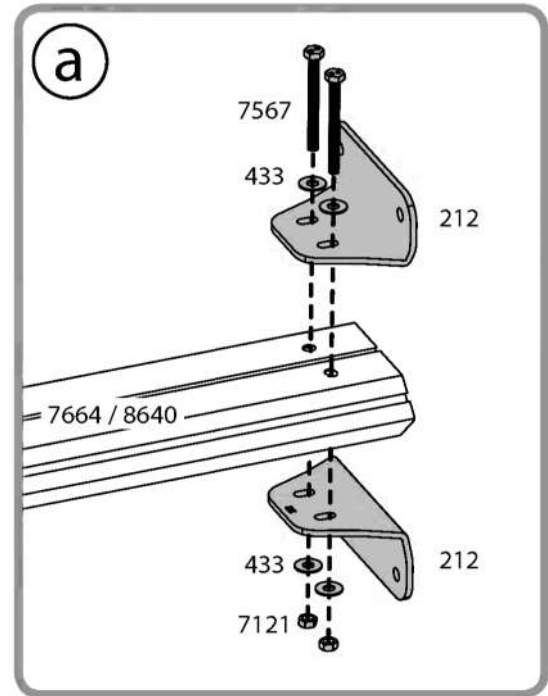
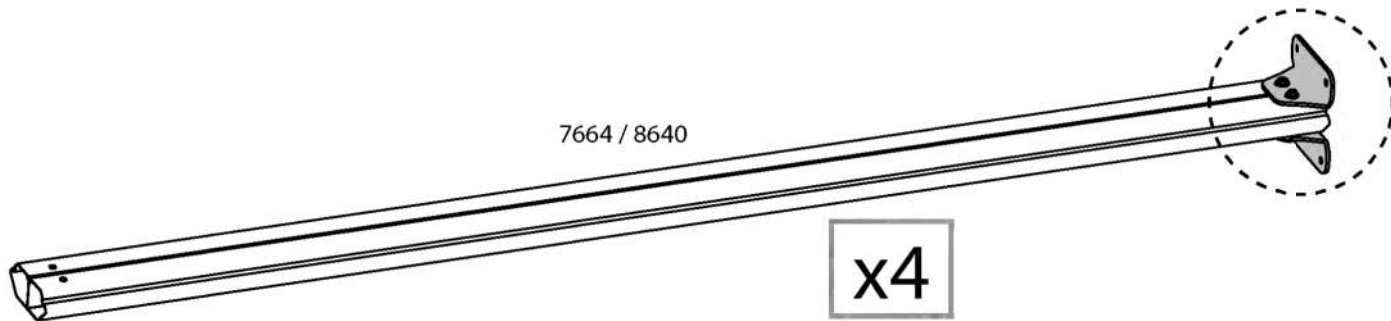
7664 .....  
8640 .....  
..... 2  
..... 2

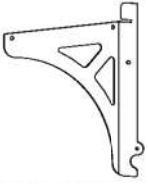
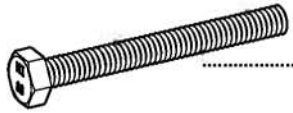

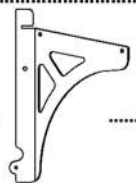





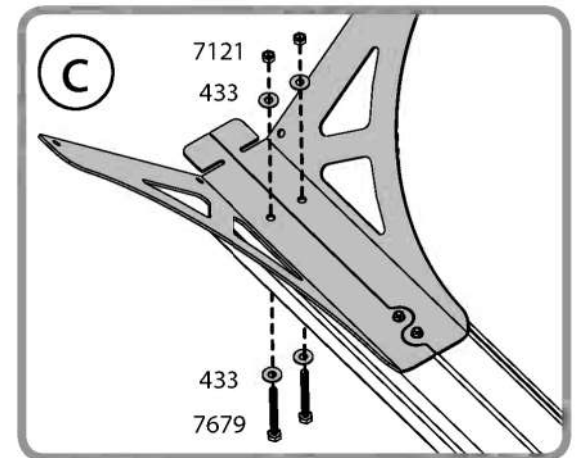
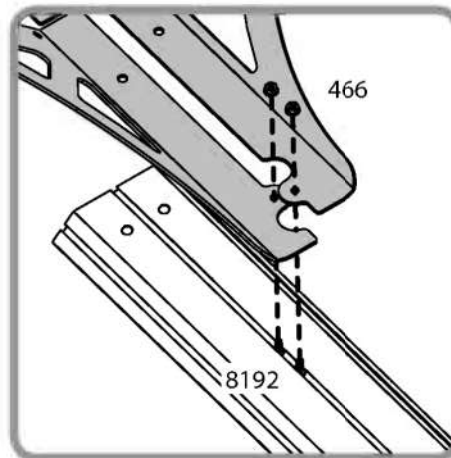
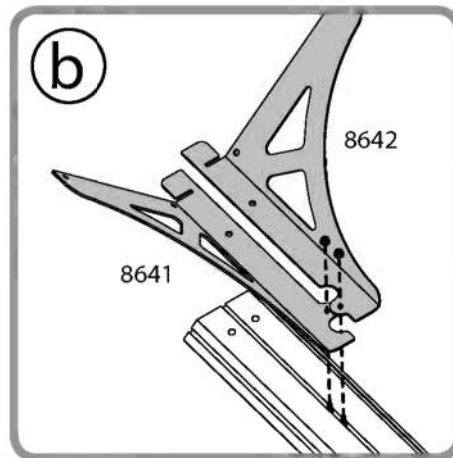
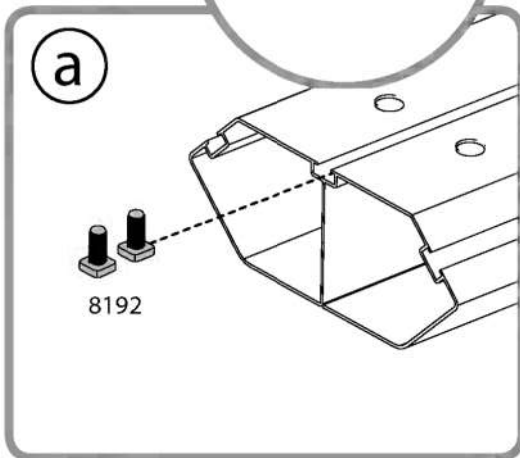
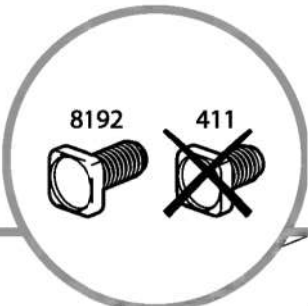
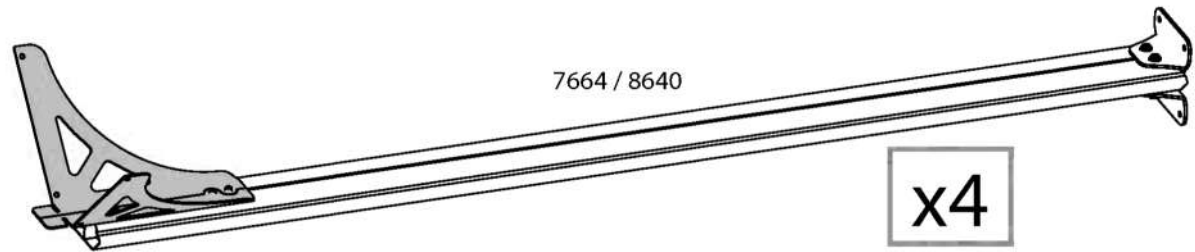
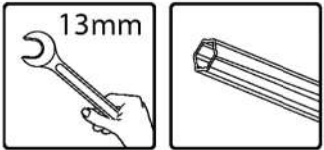
7567 ..... 8  
212 ..... 8



433 ..... 16  
7121 ..... 8

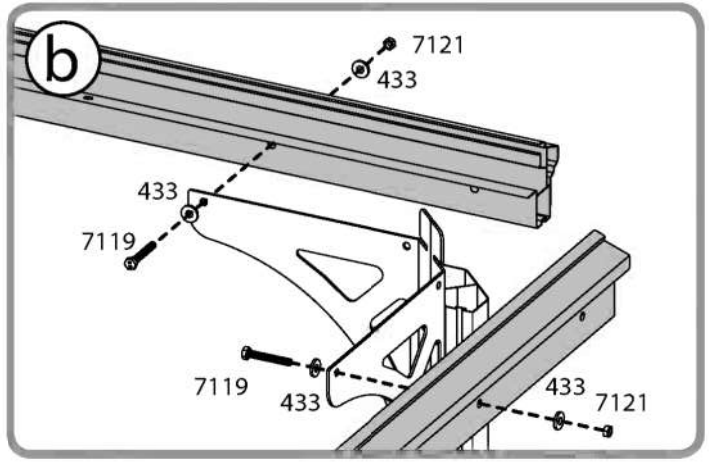
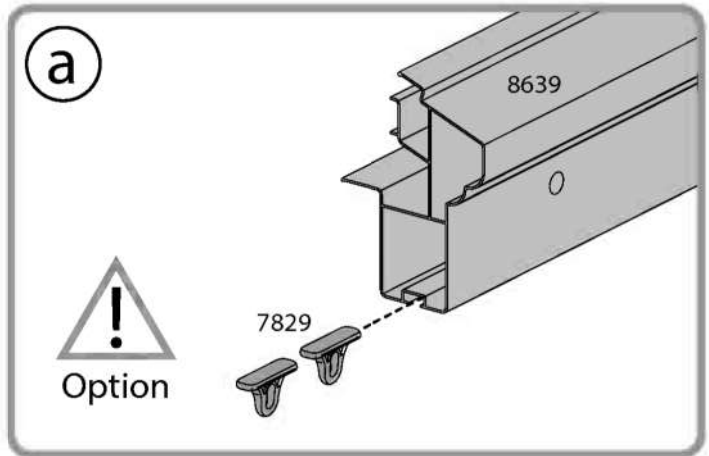
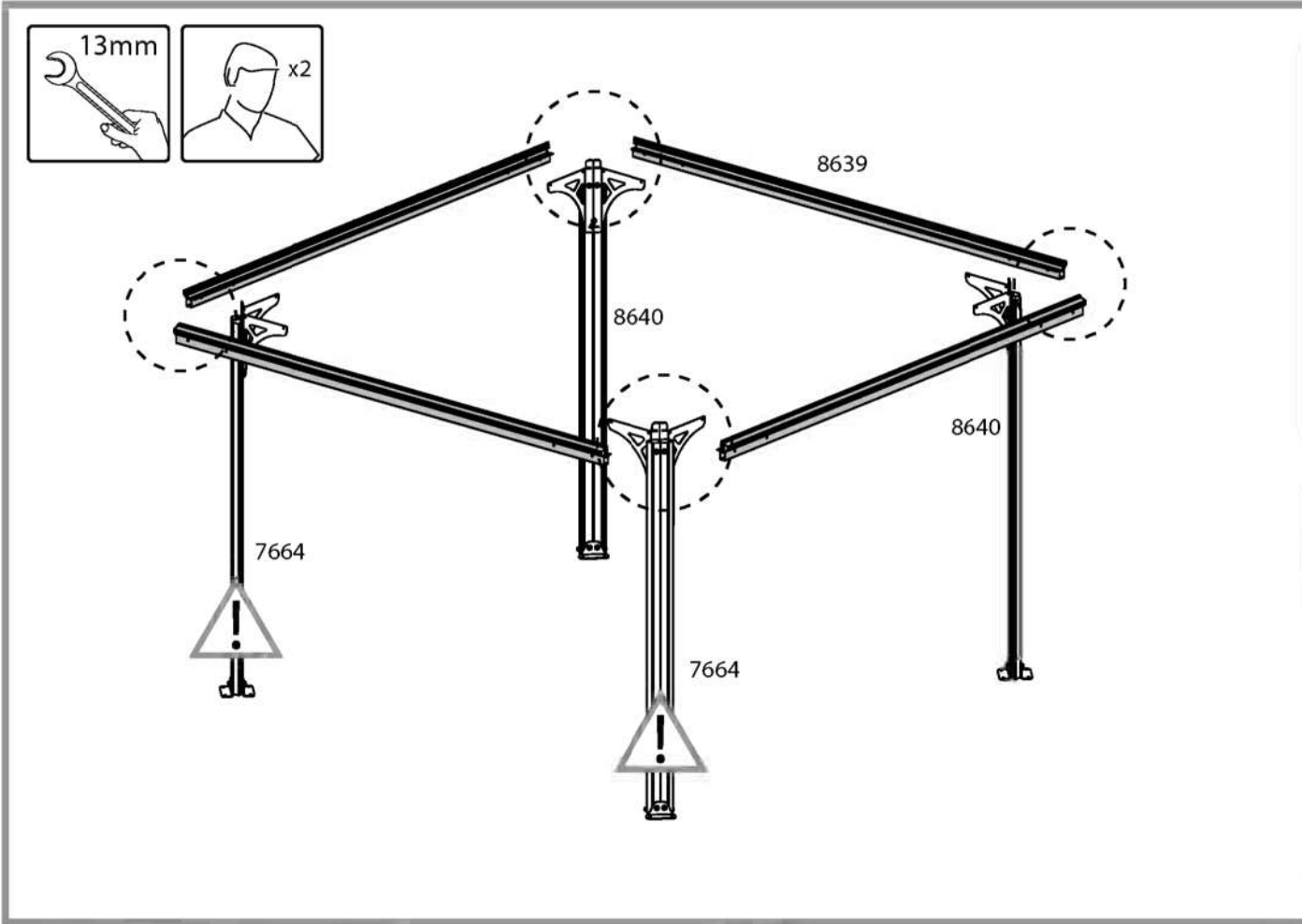
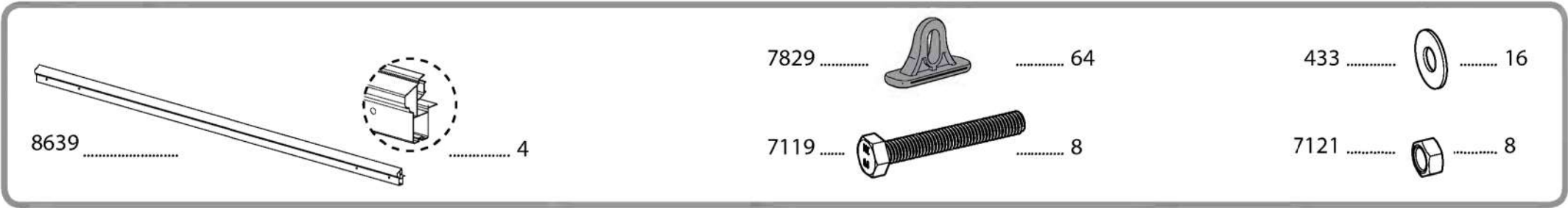


8641 .....		..... 4	7679 .....		..... 8	433 .....		..... 16
8642 .....		..... 4	8192 .....		..... 8	466 .....		..... 8
						7121 .....		..... 8

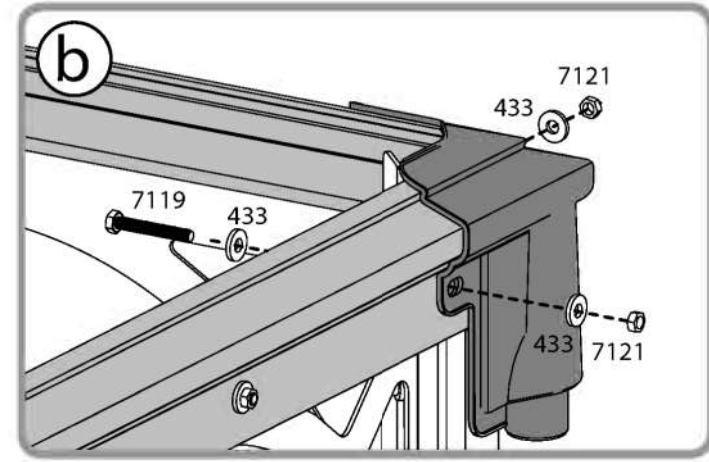
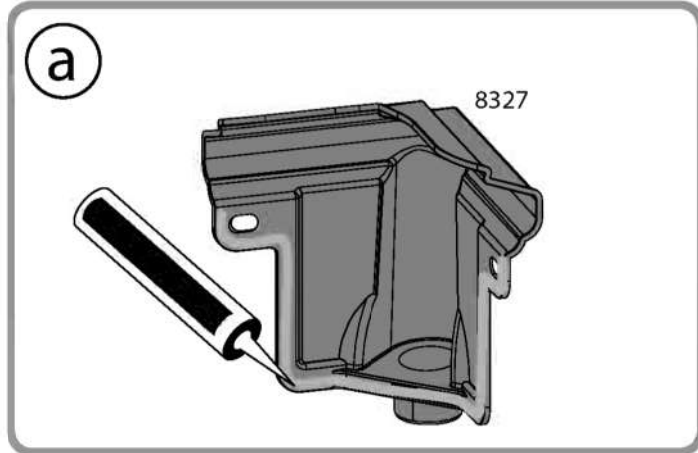
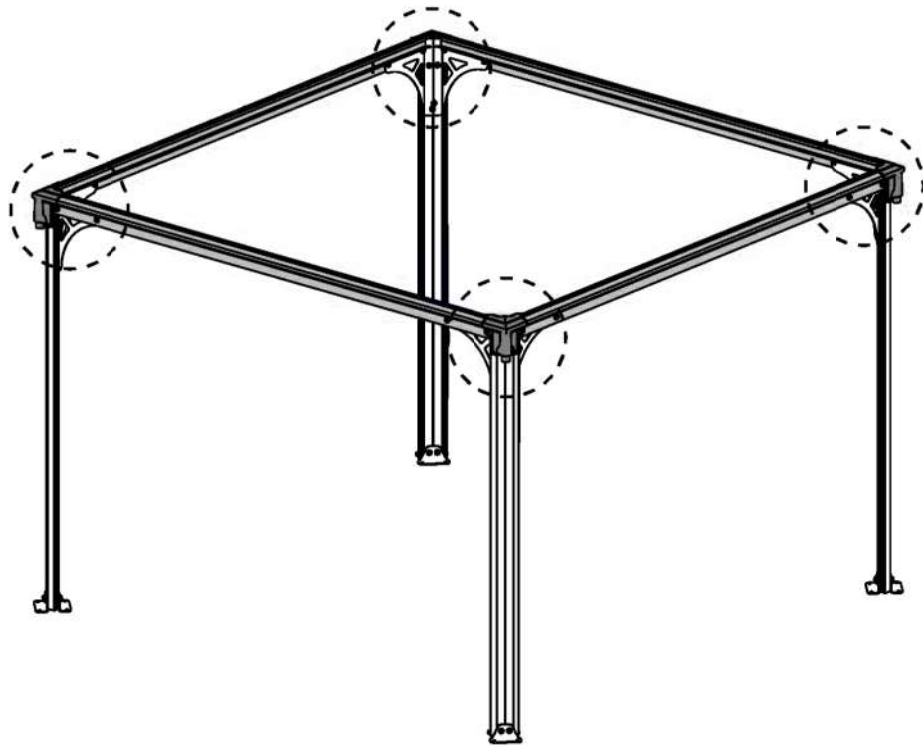
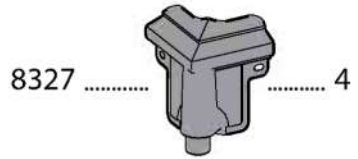




**3** **i**



**4** **i**



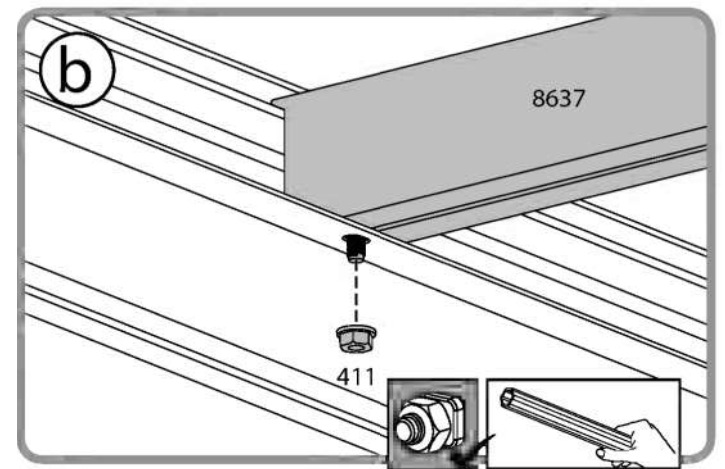
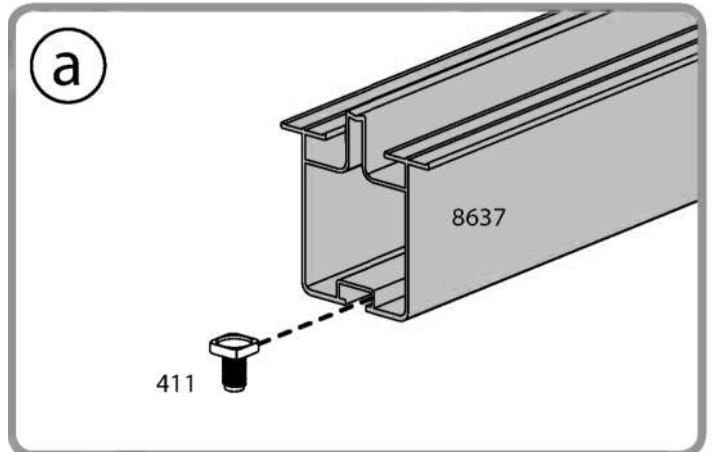
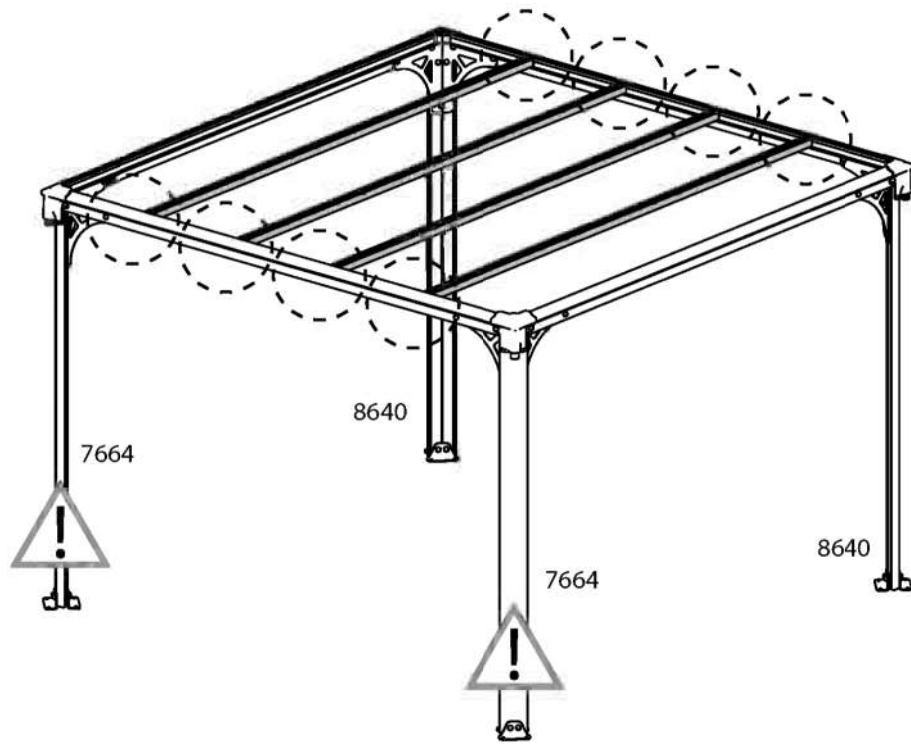


5 **i**

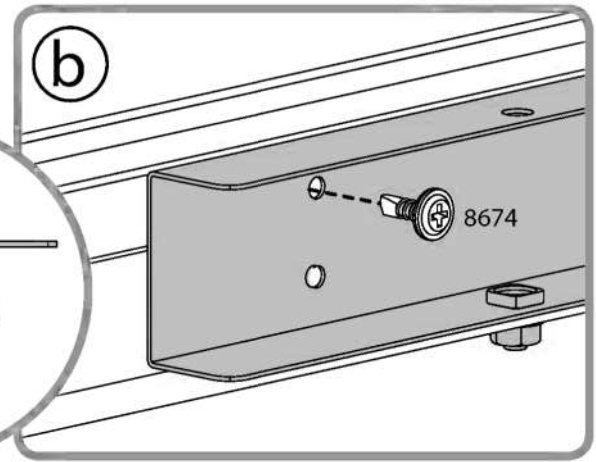
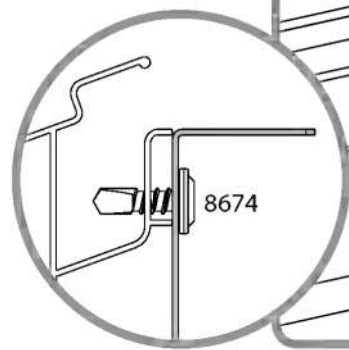
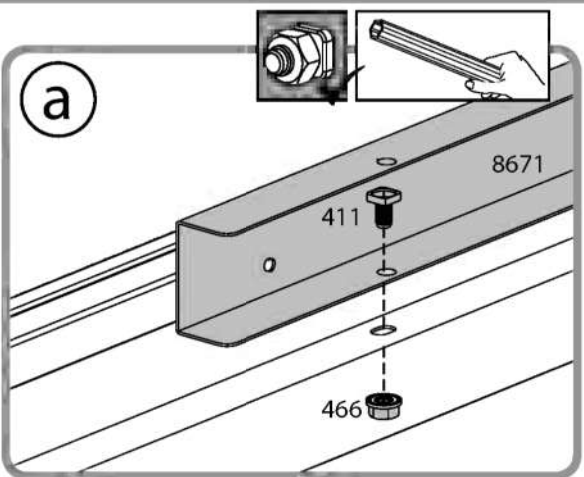
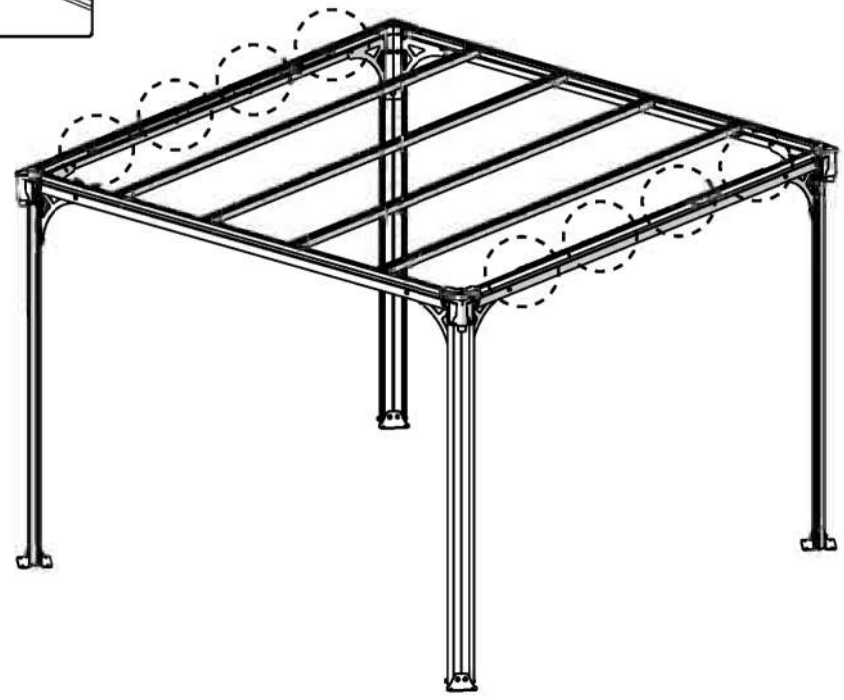
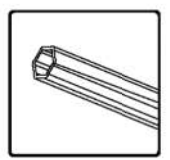
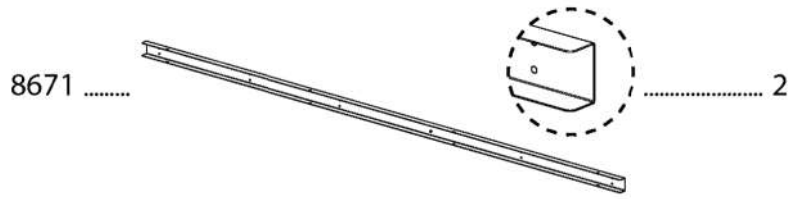


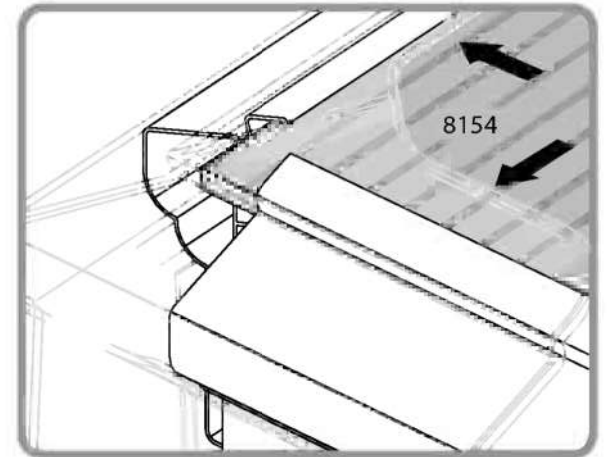
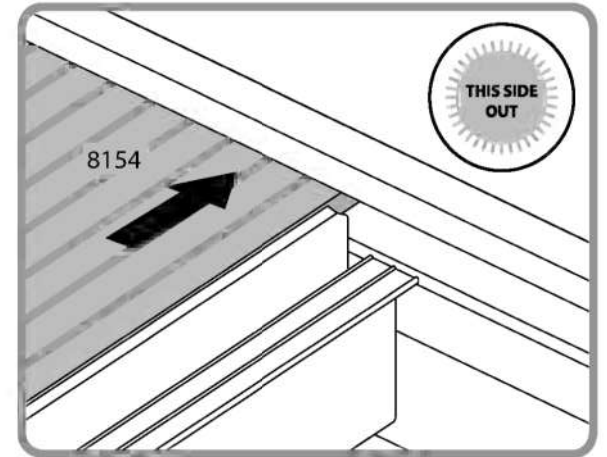
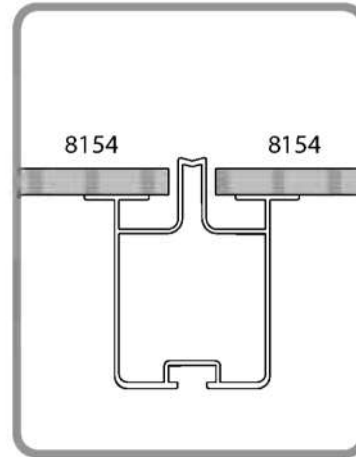
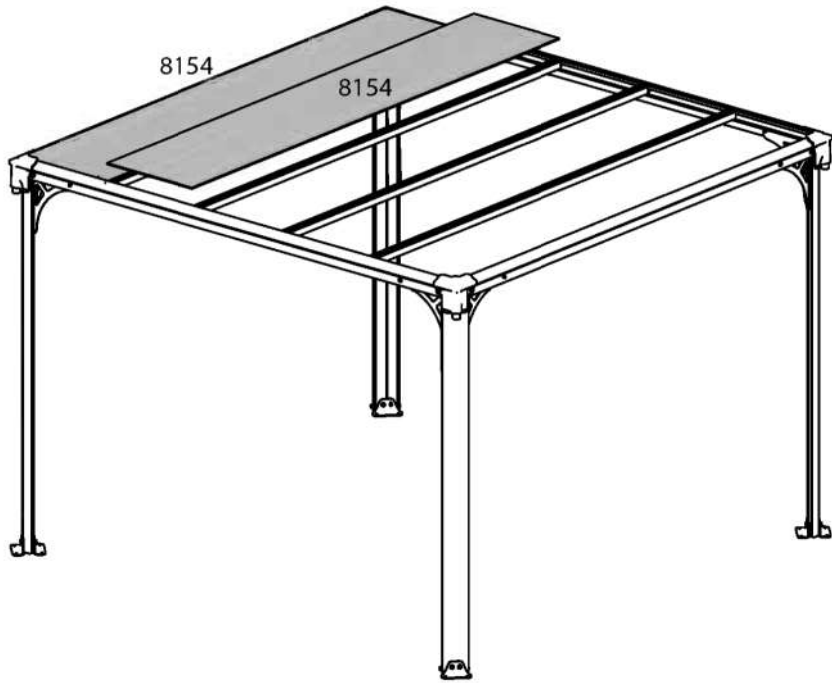
411 ..... 8

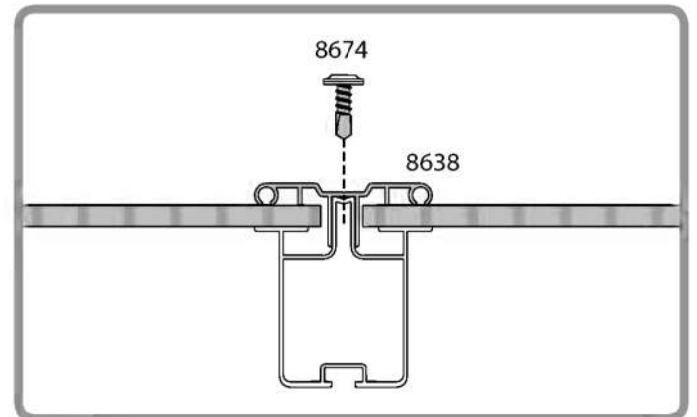
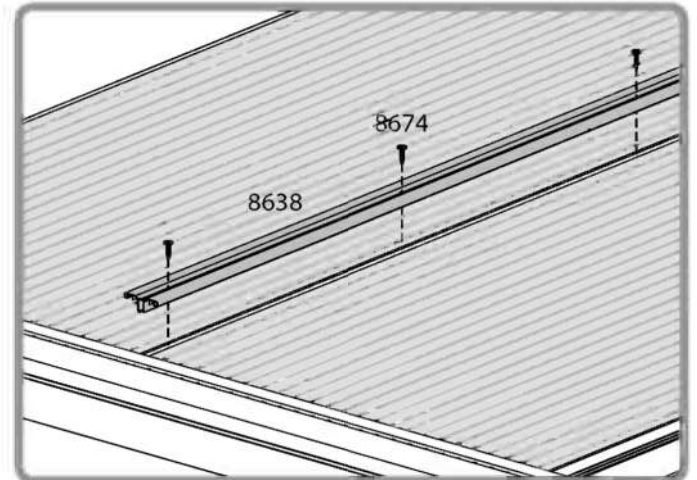
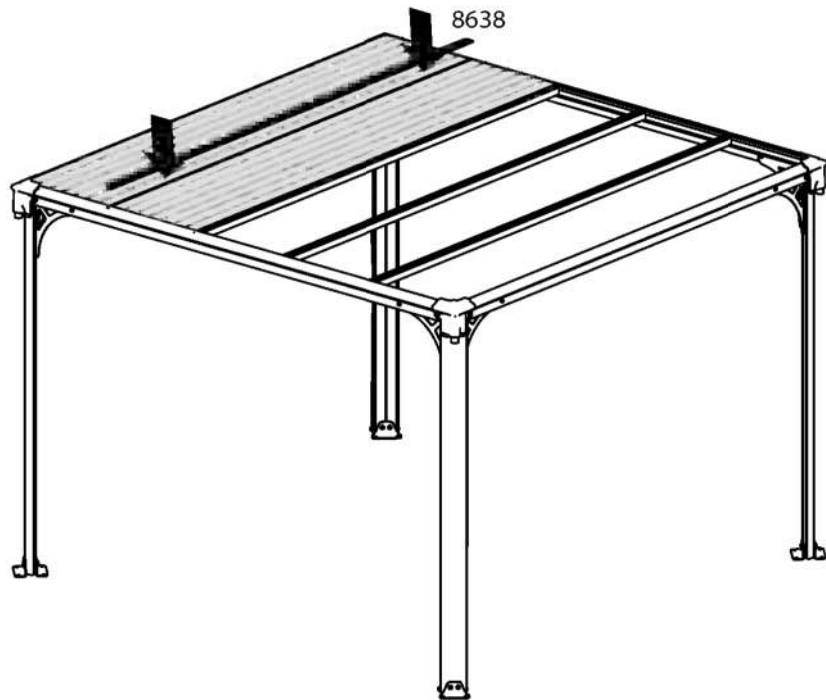
466 ..... 8

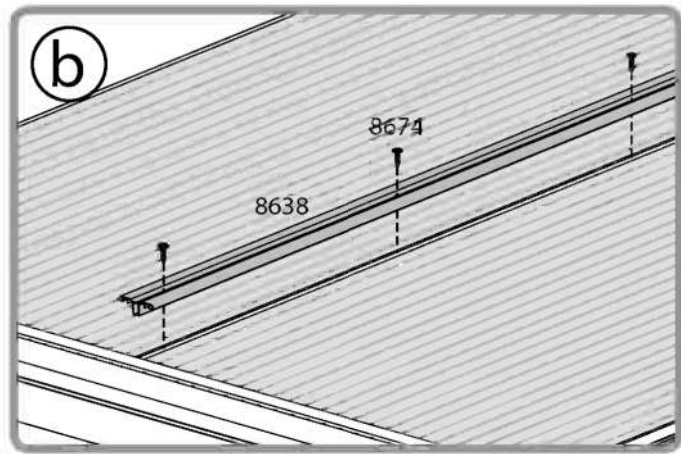
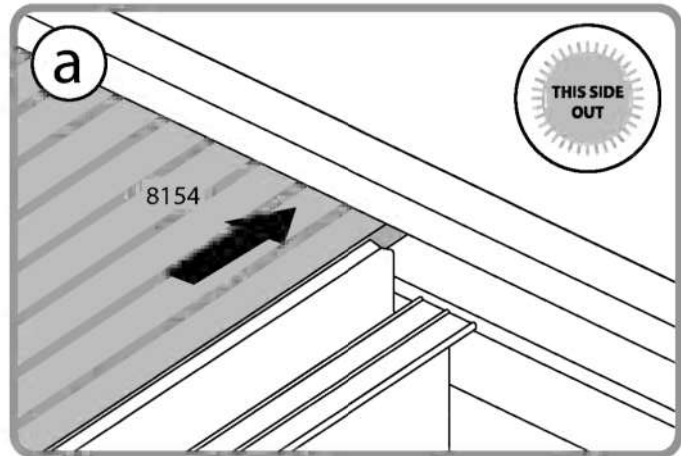
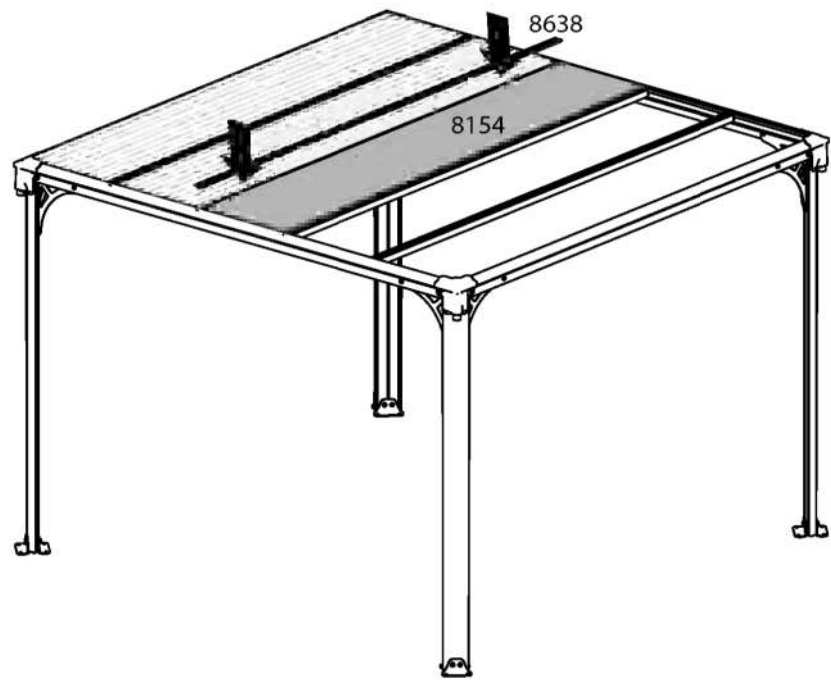


6







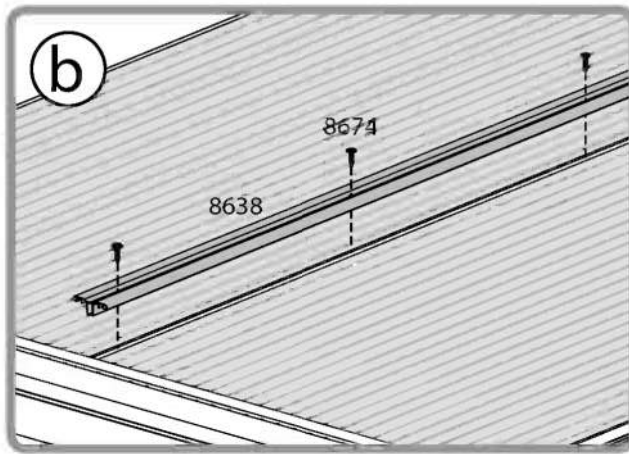
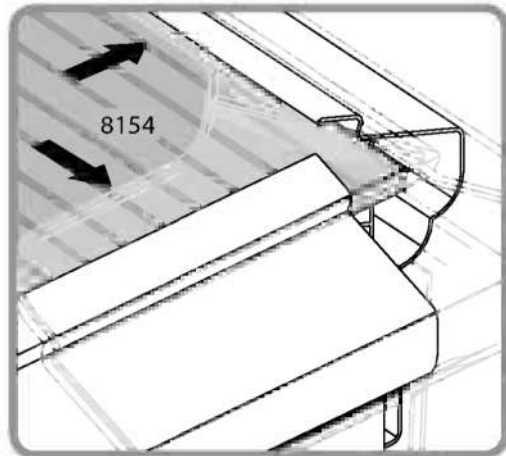
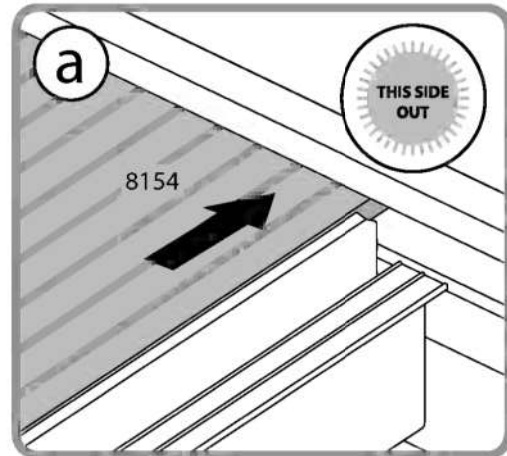
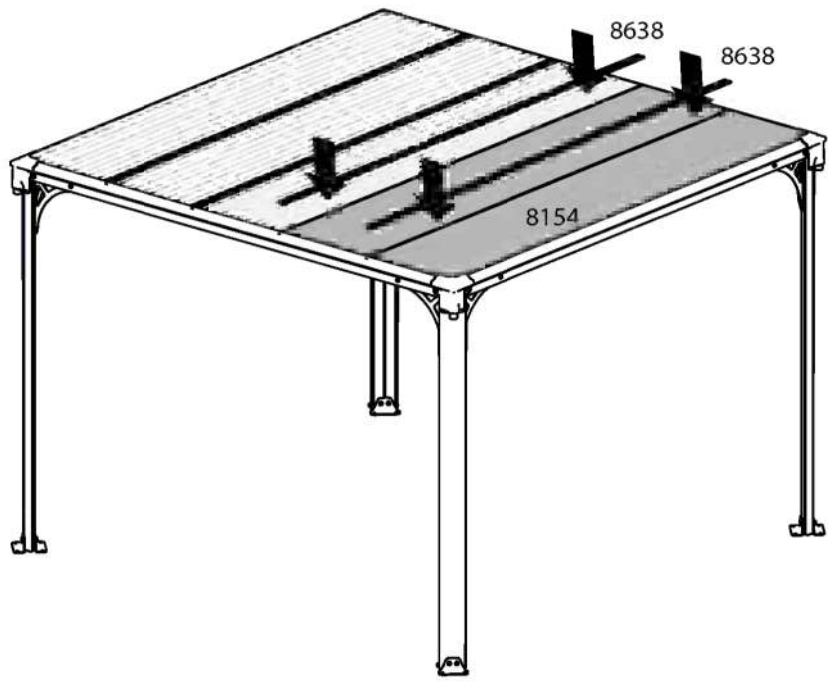




8154 ..... 2

8638 ..... 2

8674 ..... 16

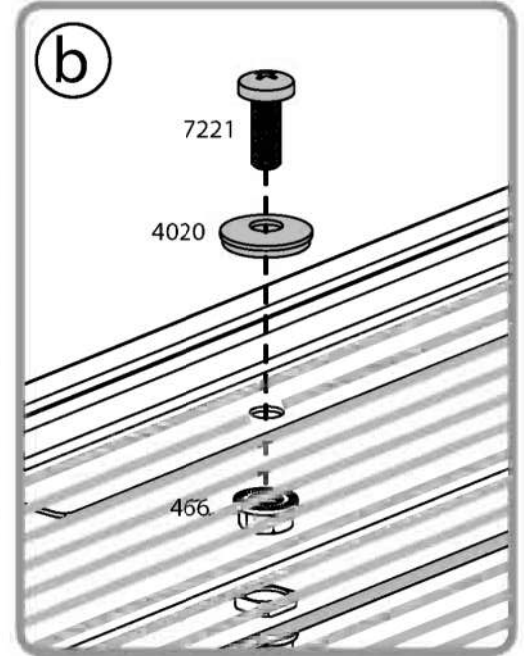
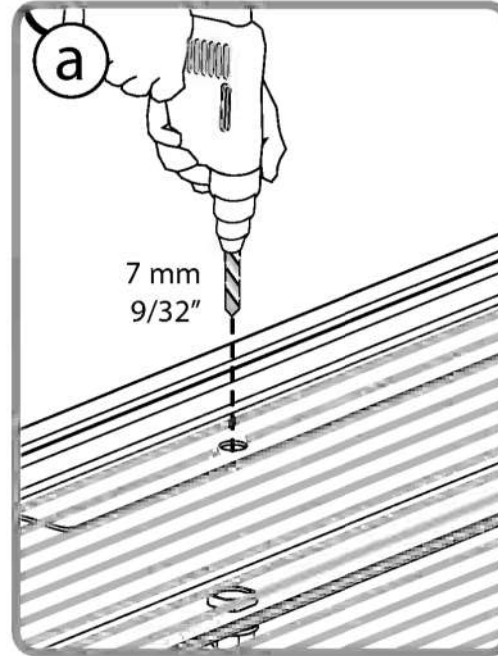
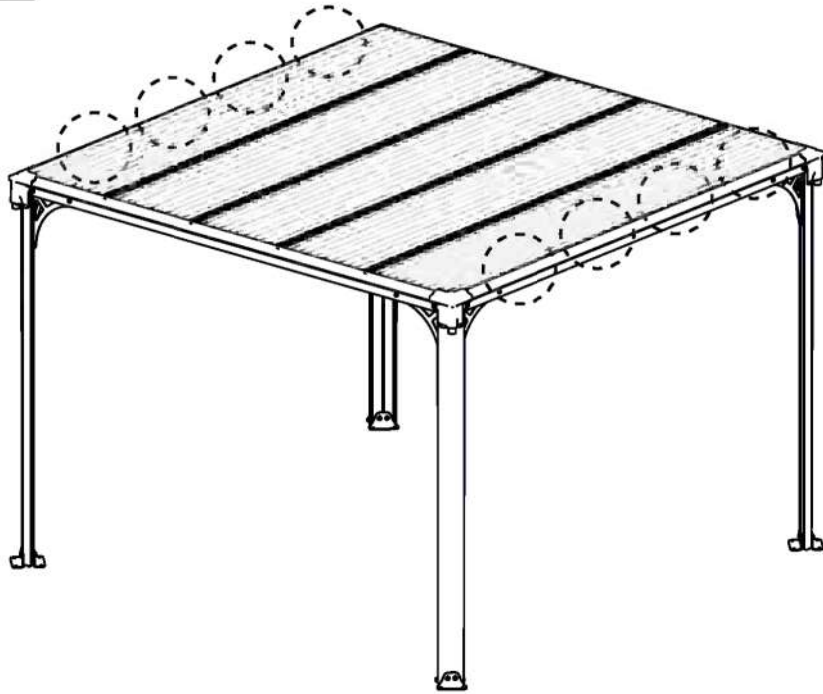
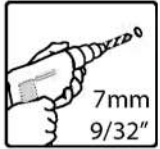


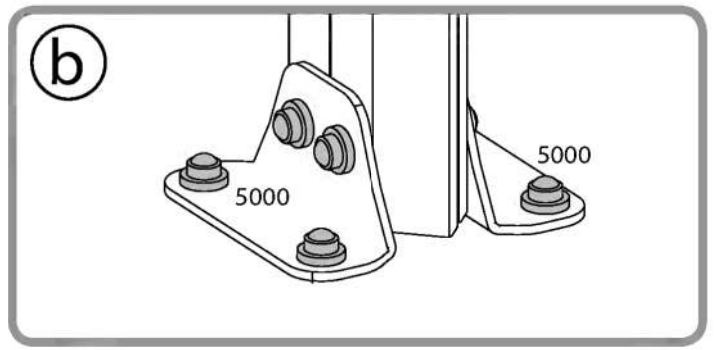
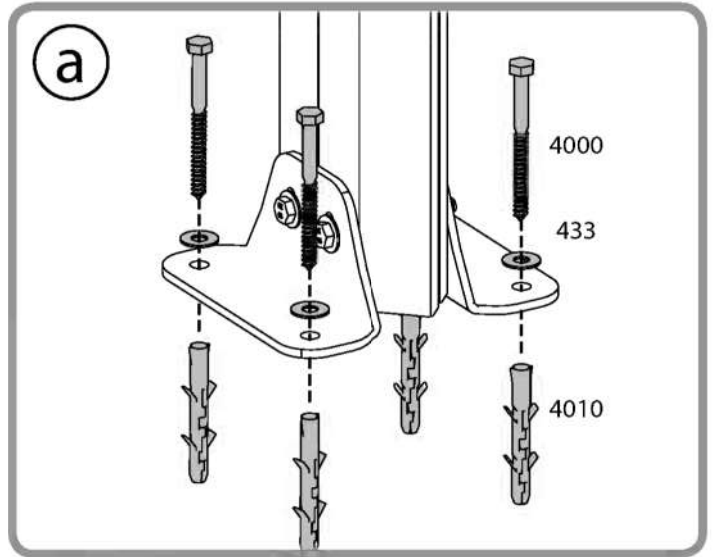
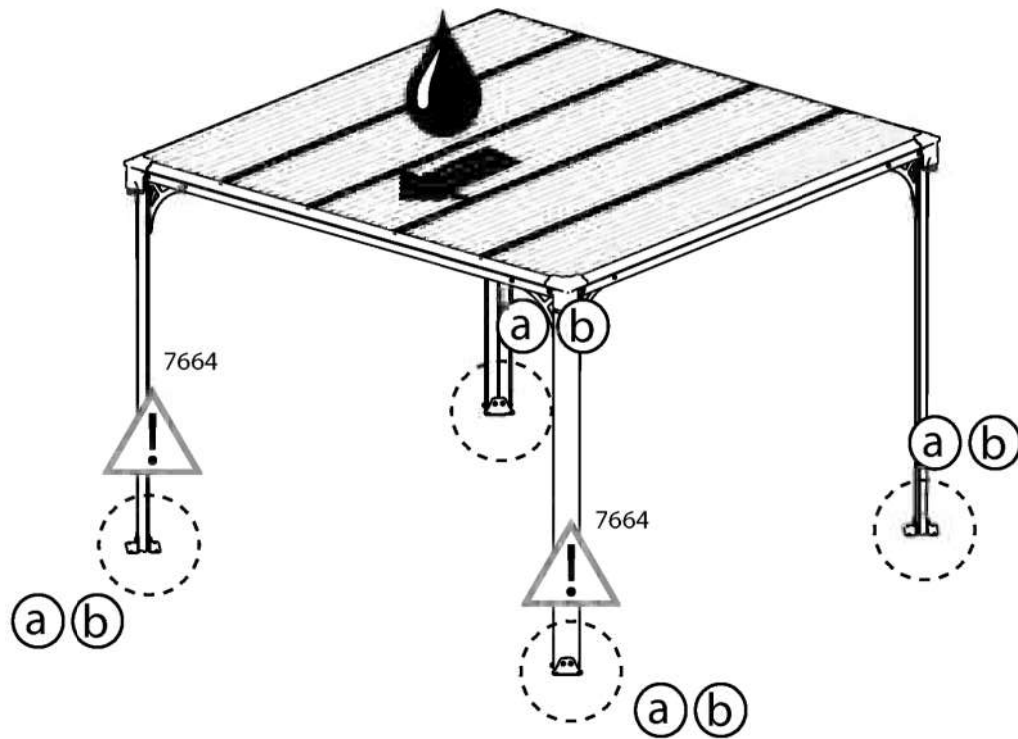
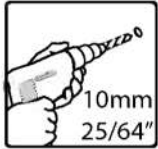
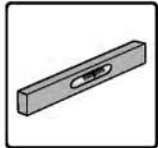
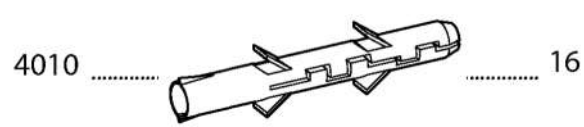
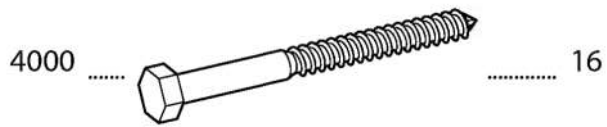
11 **i**


4024 .....  ..... 8

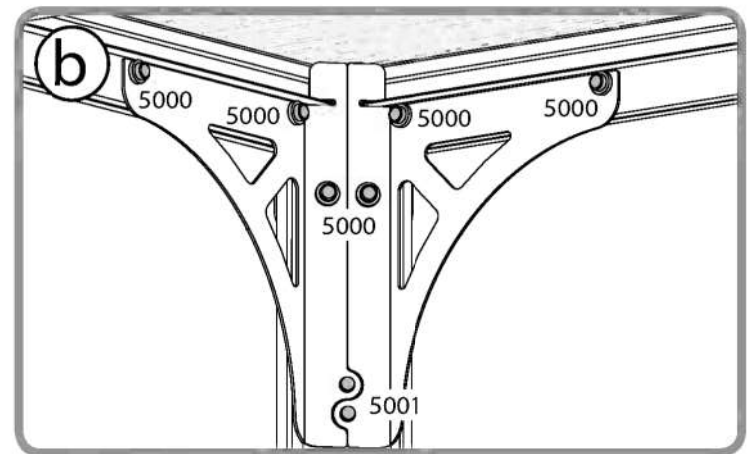
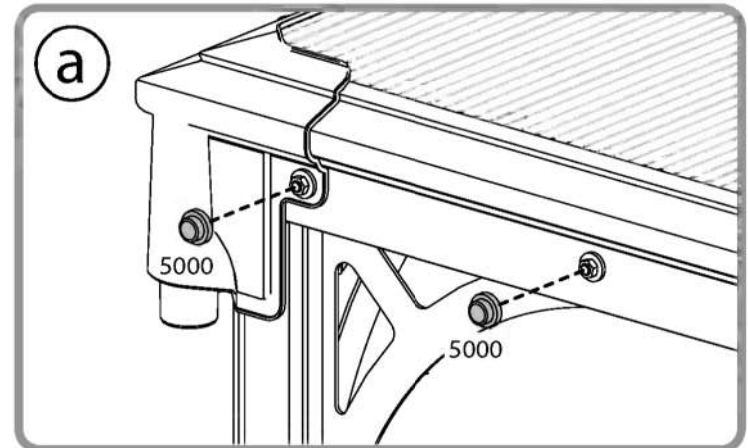
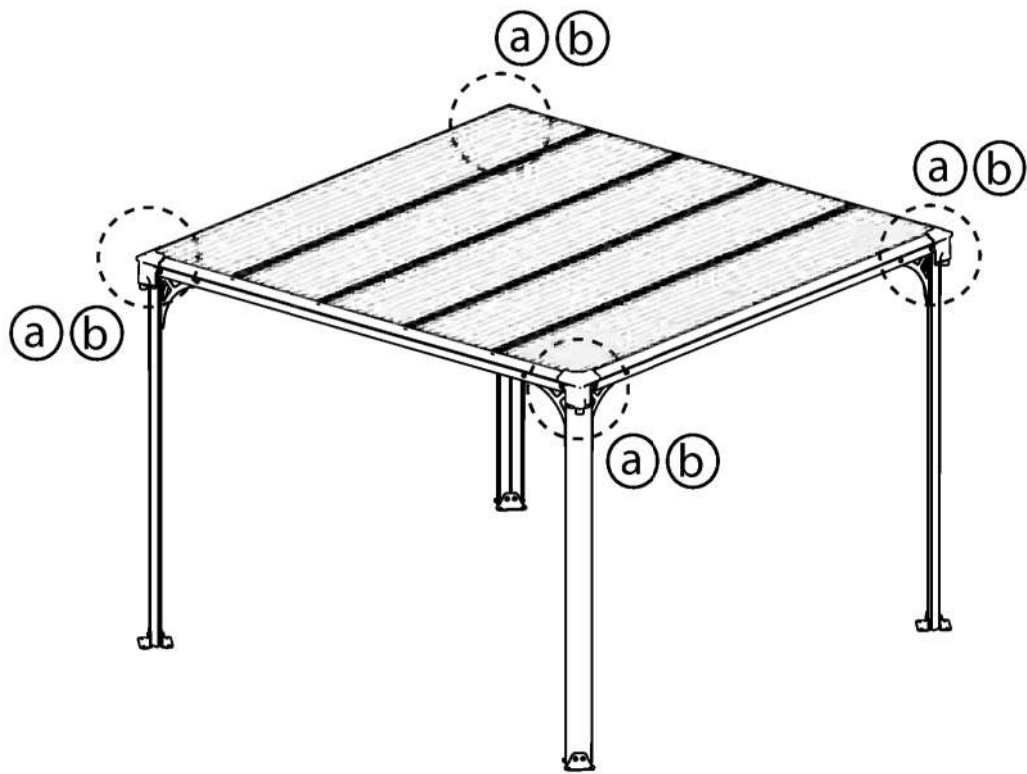
466 .....  ..... 8

7221 .....  ..... 8





5000 .....  ..... 40      5001 .....  ..... 8



5001 .....  ..... 24

